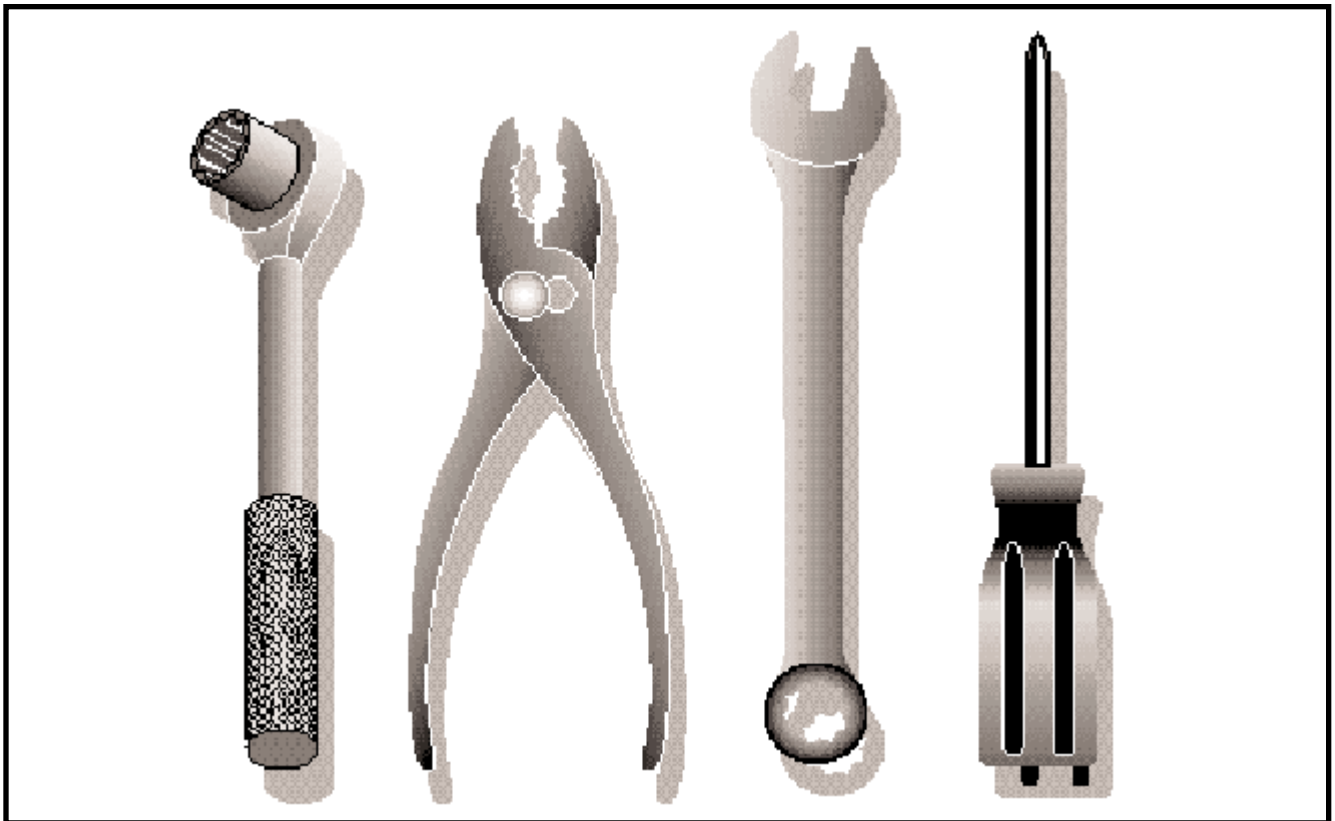


## GT 200

### HN2050A



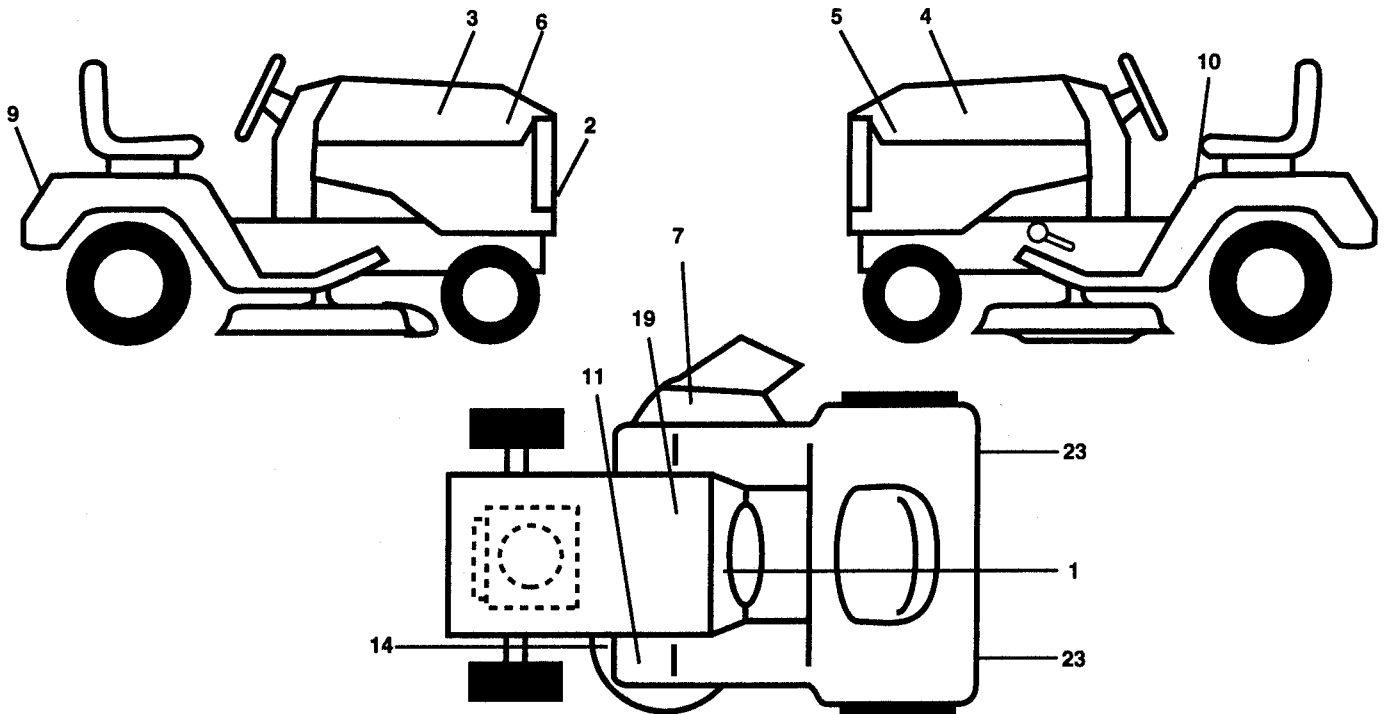
Repair Parts Manual

Ride Mower

# REPAIR PARTS

## 20 HP 50" TRACTOR - - MODEL NUMBER HN2050A

### DECALS



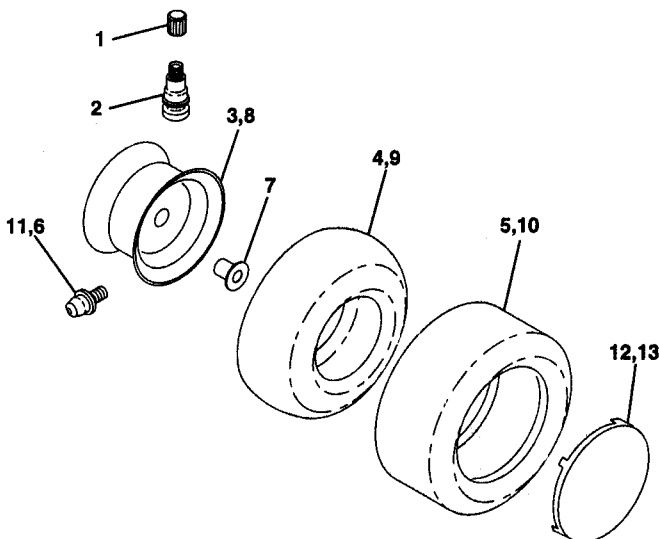
KEY NO.	PART NO.	DESCRIPTION
1	532138956	Decal, Operating Instruction
2	532125989	Decal, Grille Husqvarna "H" Logo
3	532140728	Decal, Hood, RH
4	532140729	Decal, Hood, LH
5	532140856	Decal, Insert Hood LH GT200 6Sp
6	532140857	Decal, Insert Hood RH GT200 6Sp
7	532137259	Decal, Warning Multi-Language
9	532131582	Decal, Fender
10	532133795	Decal, Caution
11	532101892	Decal, Clutch/Brake
14	532139346	Decal, V-Belt Schematic

KEY NO.	PART NO.	DESCRIPTION
19	532121549	Decal, Battery
23	532106202	Reflector, Taillight
--	532141300	Manual, Owner's (English)
--	532141301	Manual, Owner's (French)

Accessories not included with tractor:

--	TX10	Sleeve Hitch
--	TA128	Tire Chains
--	TS20	8HP Tiller
--	TA321	#55 Wheel Weights
--	TR72	48" Dozer Blade
--	TR30	10" Plow

### WHEELS & TIRES



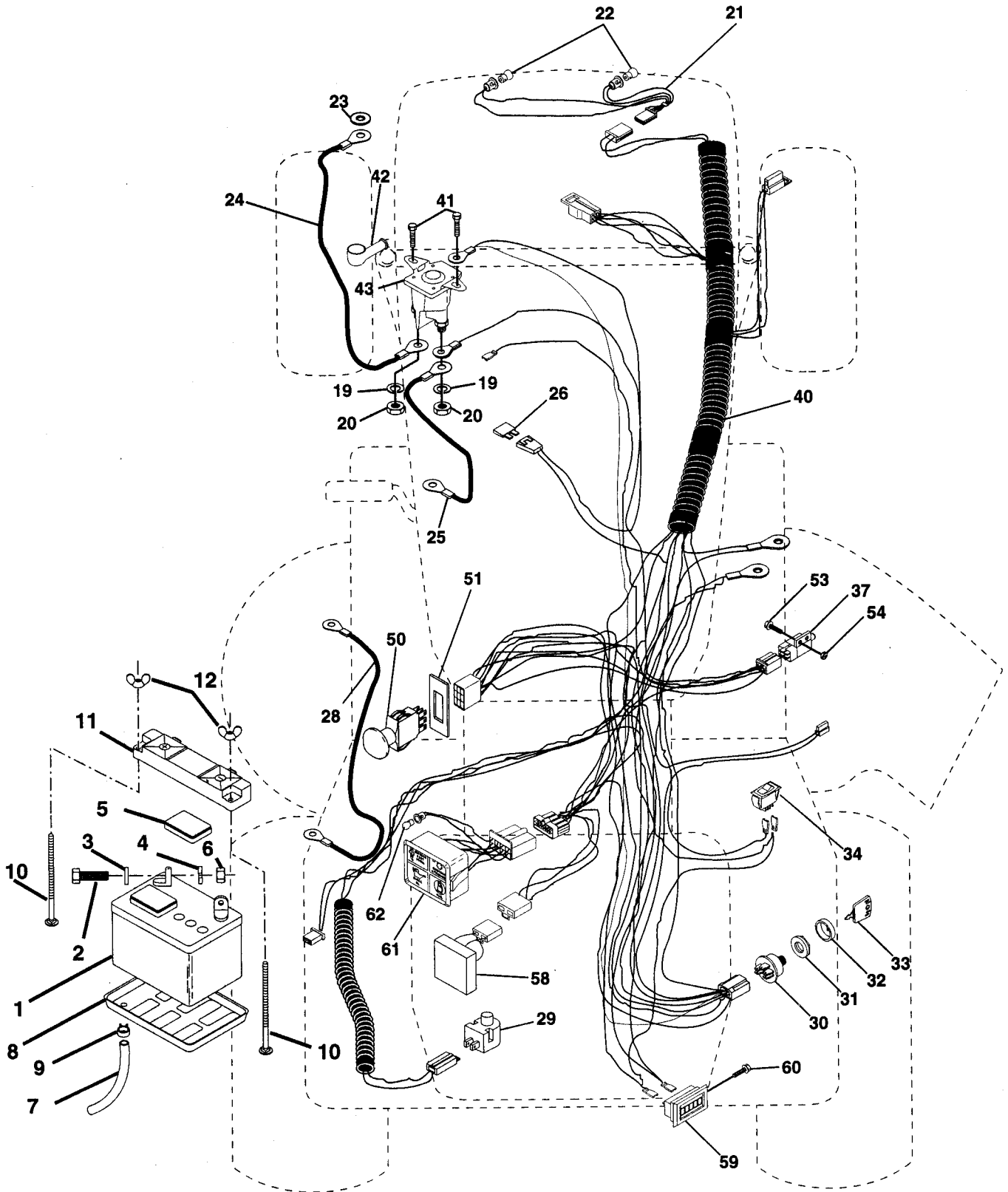
KEY NO.	PART NO.	DESCRIPTION
1	532059192	Cap, Valve, Tire
2	532065139	Stem, Valve
3	532141624	Rim Assembly, Front
4	532008134	Tube, Front (Service Item Only)
5	532106230	Tire, Front
6	532000278	Fitting, Grease
7	532124959	Bearing, Flange (Front Wheel Only)
8	532141625	Rim Assembly, Rear
9	532007154	Tube, Rear (Service Item Only)
10	532105588	Tire, Rear
11	532124860	Fitting, Grease
12	532124578	Cover Wheel 8" White
13	532124579	Cover, Wheel 12" White

**NOTE:** All component dimensions given in U.S. inches  
1 inch = 25.4 mm

# REPAIR PARTS

20 HP 50" TRACTOR - - MODEL NUMBER HN2050A

## ELECTRICAL



# REPAIR PARTS

## 20 HP 50" TRACTOR - - MODEL NUMBER HN2050A

### ELECTRICAL

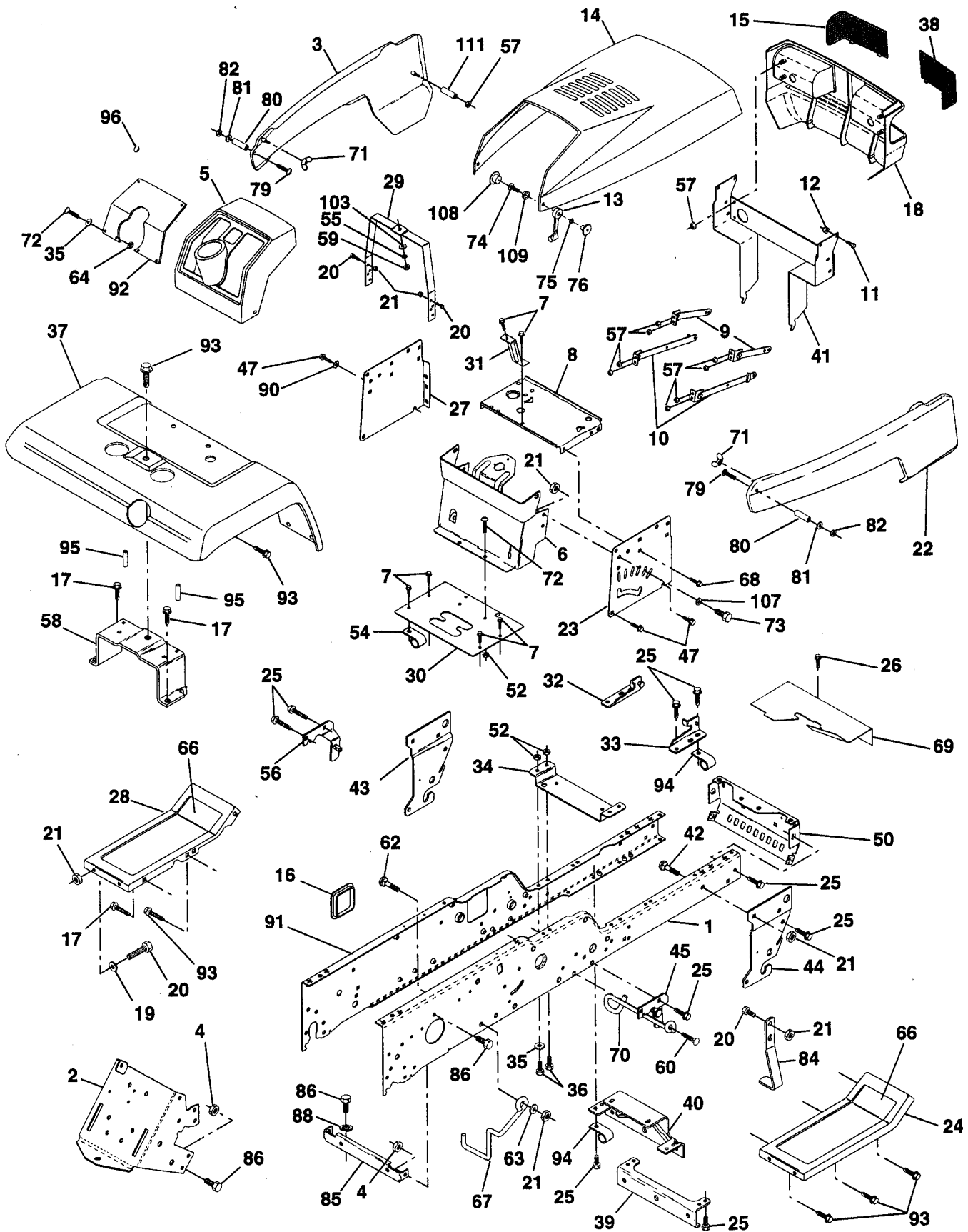
KEY NO.	PART NO.	DESCRIPTION
1	532121537	Battery
2	874760412	Bolt Hex Head 1/4-20 x 3/4
3	810040400	Washer, Lock 1/4
4	819091016	Washer 9/32 x 5/8 x 16 Ga
5	532121264	Caps, Battery
6	873220400	Nut Fin Hex 1/4-20
7	532007697	Tube Plastic
8	532124886	Tray, Battery
9	532109596	Clamp, Hose
10	872240460	Bolt, Carriage 1/4-20 x 7-1/2
11	532102476	Guard Terminal
12	532123198	Nut, Wing 1/4-20
19	810090400	Washer, Lock 1/4
20	873350400	Nut, Jam Hex 1/4-20
21	532127441	Harness Socket Light
22	532004152	Bulb Light
23	811150400	Washer, Lock Int. Tooth 1/4
24	532124780	Cable, Starter
25	532124770	Cable, Battery
26	532108824	Fuse
28	532124773	Cable, Ground
29	532121305	Switch, Plunger
30	532140399	Switch, Ign
31	532140400	Nut, Ignition Switch
32	532141226	Cover Switch Key
33	532140401	Key
34	532110712	Switch, Light
37	532104445	Intlk Switch
40	532140430	Harness Ign.
41	817720408	Screw 1/4-20 x 1/2
42	532131563	Cover, Terminal Red
43	532138406	Solenoid
50	532140404	Switch, PTO
51	532140405	Ring Retainer PTO
53	871031008	Screw Hex Washer Hd #10-32 x 1
54	873951000	Nut Keps #10-32
58	532127385	Sensor Lo-Volt
59	532110940	Meter Hour
50	817011008	Screw #10-24 x 1/2
61	532126519	Light Pkg Asm
62	532110143	Bulb, Light Pkg.

**NOTE:** All component dimensions given in U.S. inches  
1 inch = 25.4 mm

# REPAIR PARTS

20 HP 50" TRACTOR -- MODEL NUMBER HN2050A

## CHASSIS AND ENCLOSURES



# REPAIR PARTS

## 20 HP 50" TRACTOR - - MODEL NUMBER HN2050A

### CHASSIS AND ENCLOSURES

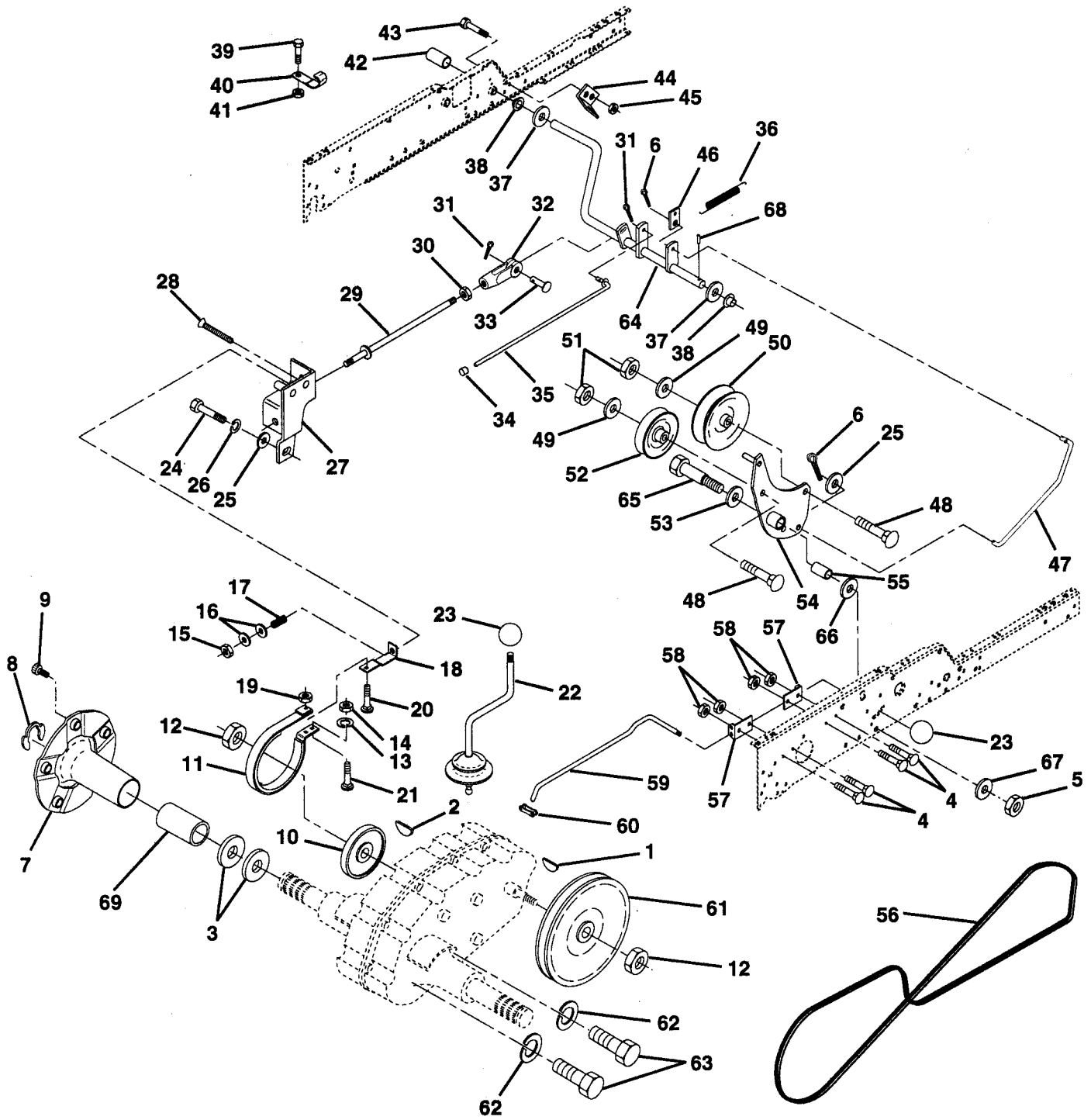
KEY NO.	PART NO.	DESCRIPTION	KEY NO.	PART NO.	DESCRIPTION
1	532140505	Rail, Frame RH	47	817490608	Screw Thdrol 3/8-16 x 1/2
2	532140506	Drawbar, Gt	50	532136575	Bracket, Chassis Front
3	532143364	Panel Asm., Side LH	52	873800500	Locknut, Hex W/Ins 5/16-18 Unc
4	873800700	Nut, Lock Hex 7/16 Unc	54	532126470	Clip, Insulated
5	532140452	Dash, Plastic Black	56	532138461	Bracket Asm., Susp Chassis Lh
6	532137253	Dash Asm., Lower	58	532137113	Bracket Asm., Fender
7	817720408	Screw, Thd Cut 1/4-20 x 1/2	59	873220400	Nut, Fin Hex 1/4-20
8	532140229	Support, Battery	60	817490620	Screw Thdrol 3/8-16 x 1-1/4
9	532104618	Strap, Asm. Hinge Front	62	872110608	Bolt, Carriage 3/8-16 x 1 Gr. 5
10	532106784	Strap, Asm. Hinge Rear	63	819131614	Washer 13/32 x 3/4 x 14 Ga.
11	532123481	Bolt Shoulder 1/4-20	64	873510500	Nut 5/16-18
12	873800400	Nut, Lock W/Ins 1/4-20	66	532108256	Pad, Footrest
13	532109808	Latch, Chute Blk	67	532140737	Guide, Belt
14	532125007	Hood Asm., Pnt	68	817490508	Screw, Thdrol 5/16-18 x 1/2
15	532124250	Lens, Headlight LH	69	532140022	Shield, Heat
16	532121794	Cover, Access	70	532137159	Guide, Belt Mid Span
17	817490612	Screw, Thdrol 3/8-16 x 3/4	71	532123198	Nut, Plastic Locking Wing 1/4-20
18	532127320	Grille	72	874180512	Screw, Mach Trhd 5/16-18 x 3/4
19	819131312	Washer 13/32 x 13/16 x 12 Ga.	73	874780616	Bolt, Fin Hex 3/8-16 x 1 Gr. 5
20	874760616	Bolt, Fin Hex 3/8-16 x 1	74	874191008	Screw, Machine #10-24
21	873800600	Nut, Lock Hex W/Wsh 3/8-16 Unc	75	810071000	Washer, Lock #10
22	532143365	Panel Asm., Side RH	76	532125004	Nut, Weld #10-24
23	532121045	Panel, Dash Side RH	79	874981020	Screw, Machine #10-24 x 1/4
24	532124914	Footrest, RH	80	532007206	Spacer, Split
25	817490612	Screw, Thdrol 3/8-16 x 3/4	81	819070818	Washer 7/32 x 1/2 x 18 Ga.
26	817490512	Screw, Thdrol 5/16-18 x 3/4	82	873731000	Nut #10-24
27	532121046	Panel, Dash Side LH	84	532138952	Stop, Over Center Mower
28	532124899	Footrest, LH	85	532120404	Bracket, Support
29	532124130	Bracket, Support Dash	86	874760716	Bolt, Fin Hex 7/16-14 Unc x 1
30	532141522	Saddle, Silkscr Vgt	88	810040700	Washer, Lock Hvy Hld Sp 7/16
31	532137556	Brace, Support Steering	90	811050600	Washer, Lock External Tooth 3/8
32	532141315	Bracket Asm., Frame Pivot Lh	91	532140504	Rail, Frame Lh
33	532141314	Bracket Asm., Frame Pivot Rh	92	532141626	Plate, Silkscreen Dash
34	532136963	Bracket, Engine Support Rear	93	817490608	Screw, Thdrol 3/8-16 x 1/2
35	819111116	Washer 11/32 x 11/16 x 16 Ga.	94	532100207	Clip, Fuel Line
36	874780512	Bolt, Fin Hex 5/16-18 x 3/4	95	532105531	Push Nut, Nylon
37	532124927	Fender, Pnt.	96	532125085	Plug, Hole
38	532124251	Lens Headlight RH	103	810040400	Washer, Lock 1/4
39	532136961	Bracket, Axle Front	107	819131614	Washer 13/32 x 1 x 14 Ga.
40	532136962	Bracket, Support Axle/Engine	108	532110356	Cap, Snap Black
41	532140625	Support Asm. Grille	109	532110357	Cap, Washer Snap
42	872140608	Bolt, Carriage 3/8-16 x 1	111	532001260	Spacer
43	532136939	Bracket, Spnsn Front Lh			
44	532136940	Bracket, Spnsn Front Rh			
45	532138460	Bracket Asm., Susp Chassis Rh			

**NOTE:** All component dimensions given in U.S. inches  
1 inch = 25.4 mm

# REPAIR PARTS

## 20 HP 50" TRACTOR - - MODEL NUMBER HN2050A

### GROUND DRIVE



# REPAIR PARTS

## 20 HP 50" TRACTOR - - MODEL NUMBER HN2050A

### GROUND DRIVE

KEY NO.	PART NO.	DESCRIPTION	KEY NO.	PART NO.	DESCRIPTION
1	532124708	Key, Woodruff	37	532121749	Washer 25/32 x 1-1/4 x 16 Gauge
2	532125096	Key, Woodruff	38	532110895	Nyliner
3	532007563	Washer, Thrust, Axle	39	874321016	Screw, Fin. #10-24 x 1
4	872140506	Bolt 5/16-18 x 3/4	40	532005304	Actuator, Interlock Switch
5	873680600	Nut, Crownlock 3/8-16	41	873631000	Locknut #10-24
6	876020412	Pin, Cotter 1/8 x 3/4	42	532123533	Cover, Clutch/Brake Pedal
7	532135758	Wheel Hub Assembly	43	874760412	Bolt, Hex 1/4-20 x 3/4
8	812000034	Klip Ring	44	532104601	Bracket, Interlock
9	532140080	Bolt, Hub	45	873800400	Nut, Lock w/Inst 1/4-20
10	532000214	Drum, Brake	46	532121358	Retainer, Spring
11	532101122	Band, Brake	47	532138228	Clutch Rod
12	532009204	Locknut 1/2-20	48	872110614	Bolt, Carriage 3/8-16 x 1-3/4
13	810040400	Washer, Lock 1/4	49	819131413	Washer 13/32 x 7/8 x 13 Gauge
14	873220400	Nut, Hex 1/4-20	50	532131494	Idler, Flat
15	873530600	Locknut 3/8-24	51	873800600	Locknut, Hex 3/8-16
16	819131614	Washer 13/32 x 1 x 14 Gauge	52	532139123	Idler, Grooved
17	532007241	Spring, Compression	53	532000207	Washer, Hardened
18	532124695	Guide, Brake Rod	54	532138390	Clutch Arm Assembly
19	532124949	Locknut 5/16-18	55	532105706	Bearing, Idler
20	872110506	Bolt, Carriage 5/18-18 x 3/4	56	532137153	V-Belt
21	872140405	Bolt, Carriage 1/4-20 x 5/8	57	532105598	Bracket, Shift Rod, Hi-Lo
22	532124863	Gearshift Lever Assembly	58	873800500	Locknut, Hex, with Washer Insert 5/16-18
23	532121466	Knob	59	532122253	Shift Rod, Hi-Lo
24	874760614	Bolt, Hex Head 3/8-16 x 7/8	60	532122268	Spring Clip, Connecting Link
25	819131316	Washer 13/32 x 13/16 x 16 Gauge	61	532137524	Pulley, Transaxle
26	810040600	Washer, Lock 3/8	62	810040700	Washer, Lock 7/16
27	532124692	Bracket, Brake	63	874760720	Bolt, Hex Head 7/16-14 x 1-1/4
28	874370612	Screw, Machine, Flat Head 3/8-16 x 3/4	64	532104375	Shaft, Clutch/Brake Pedal
29	532005308	Brake Rod	65	532067609	Bolt, Shoulder
30	873610600	Nut, Hex 3/8-24	66	532140296	Washer, Hardened
31	876020312	Pin, Cotter 3/32 x 3/4	67	819131312	Washer Flat
32	532100604	Yoke	68	532005142	Pin, Roll
33	532005102	Pin, Clevis	69	532136327	Hub, Cover
34	532071673	Cap, Plunger			
35	532137255	Rod, Parking Brake			
36	532138364	Spring, Extension, Clutch			

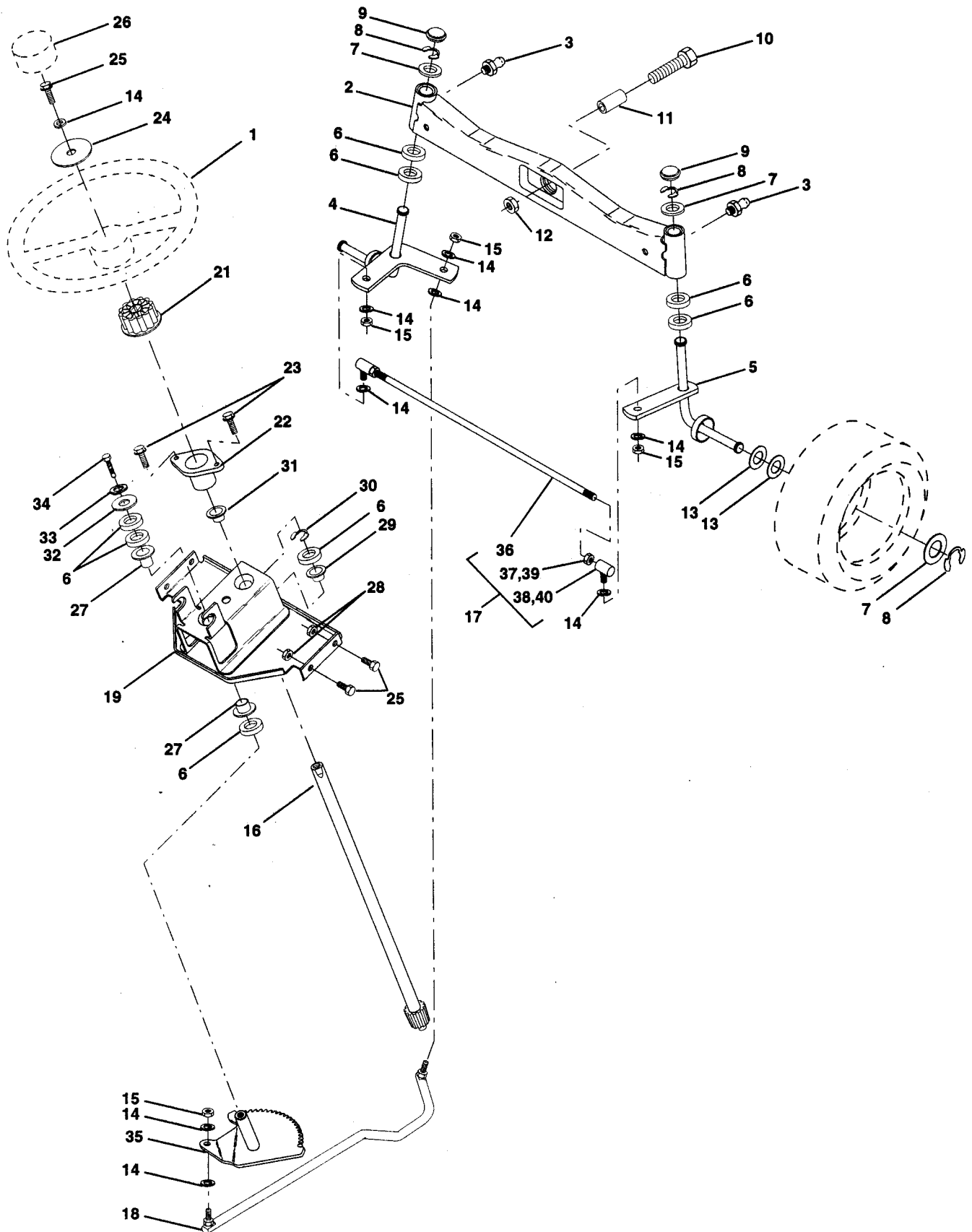
**NOTE:** All component dimensions given in U.S. inches  
1 inch = 25.4 mm



# REPAIR PARTS

20 HP 50" TRACTOR - - MODEL NUMBER HN2050A

## STEERING ASSEMBLY



# REPAIR PARTS

## 20 HP 50" TRACTOR - - MODEL NUMBER HN2050A

### STEERING ASSEMBLY

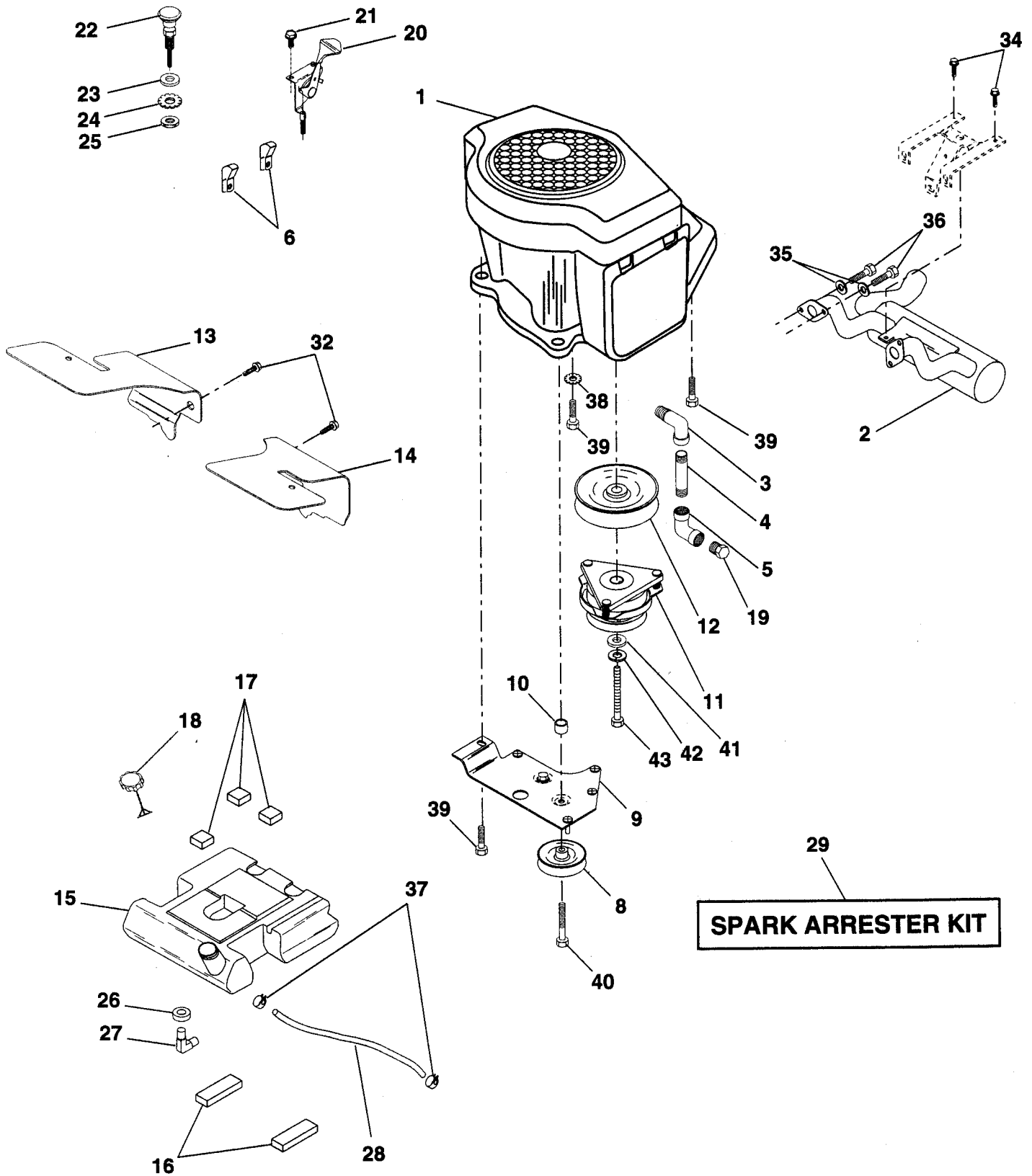
KEY NO.	PART NO.	DESCRIPTION
1	532124415	Wheel, Steering
2	532137094	Axle Asm., Front
3	532124836	Fitting, Grease
4	532136960	Spindle Asm, LH
5	532136959	Spindle Asm., RH
6	532124956	Bearing, Race Thrust Harden
7	532121748	Washer 25/32 x 1-5/8 x 16 Ga.
8	812000029	Ring, Klip #T5304-75
9	532121232	Cap, Spindle
10	874781044	Bolt, Fin Hex 5/8-11 x 2-3/4
11	532136518	Spacer, Brg. Axle Front
12	873901000	Nut, Lock Flange 5/8-11 Unc
13	532121749	Washer 25/32 x 1-1/4 x 16 Ga.
14	810040600	Washer, Lock Hvy Hlcl Spr 3/8
15	873610600	Nut, Fin Hex 3/8-24 Unf
16	532104591	Shaft Asm., Steering
17	532137347	Rod Asm., Tie Ball J Ball Vgt (Inc. Key No. 36-40)
18	532137155	Draglink, Ball Joint Solid Vgt
19	532138053	Support Asm., Steering Vgt
21	532100711	Adapter, Wheel Steering
22	532124720	Bushing, Strg. Blk
23	817431008	Screw, Slftp #10-16 x 1/2 Ty-b
24	819133808	Washer 13/32 x 2-3/8 x 8 Ga.
25	874780616	Bolt, Fin Hex 3/8-16 x 1 Gr. 5
26	532124416	Cap, Wheel Steering
27	532124937	Bearing, Col. Strg.
28	873800600	Nut, Lock Hex W/Wsh 3/8-16 Unc
29	532104239	Bearing, Flange
30	812000034	Ring, Klip Truarc #5304-75
31	532138136	Bushing, Nyliner Snap
32	819111610	Washer 11/32 x 1 x 10 Ga.
33	810040500	Washer, Lock Hvy Hlcl Spr 5/16
34	874760512	Bolt, Hex Hd 5/16-18 x 3/4
35	532138059	Gear, Sector Steering
36	532137156	Tie Rod
37	873360600	Jam Nut RH Thread
38	532109850	Joint Asm. Ball RH Thread
39	873700600	Jam Nut LH Thread
40	532109851	Joint Asm. Ball LH Thread

**NOTE:** All component dimensions given in U.S. inches  
1 inch = 25.4 mm

# REPAIR PARTS

20 HP 50" TRACTOR -- MODEL NUMBER HN2050A

## ENGINE



# REPAIR PARTS

## 20 HP 50" TRACTOR - - MODEL NUMBER HN2050A

### ENGINE

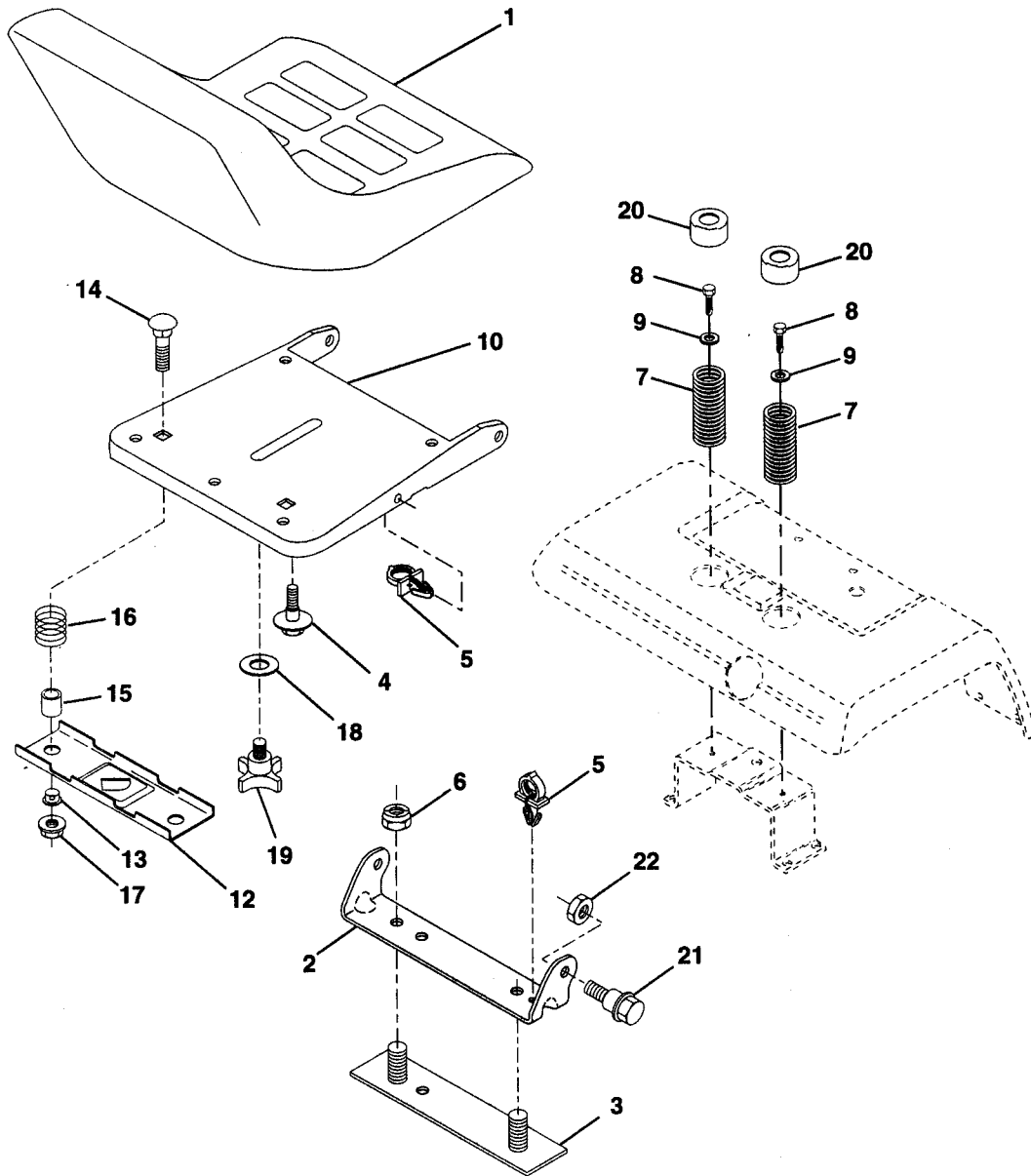
KEY NO.	PART NO.	DESCRIPTION
1	-----	Engine Kohler, Model No. MV20S
2	532139214	Muffler Asm Kohler VGT (Inc. Key No. 34)
3	813240300	Elbow Street 3/8 NPT
4	813280328	Nipple Pipe 3/8NPT X 3 - 1/2
5	813200300	Elbow STD 90 Degree 3/8 - 18 NPT
6	532138129	Clamp Tube Double Engine
8	532121361	Pulley V-Idler
9	532138559	Stop Keeper Asm VGT
10	532105432	Bushing
11	532137140	Clutch Electric
12	532136907	Pulley Engine VGT Elect Clutch
13	532138486	Baffle Air LH Koh VGT
14	532138487	Baffle Air RH Koh VGT
15	532141070	Tank Fuel W/Sym Vented
16	532109227	Pad Spacer
17	532106082	Pad Spacer
18	532140527	Cap Asm Fuel W/Sym Vented
19	813290300	Plug Oil Drain (Order From Engine Manufacturer)
20	532142168	Control Throttle
21	817720410	Screw Hex Thd Cut 1/4 - 20 X 5/8
22	532138672	Control Choke
23	819131316	Washer 13/32 X 13/16 x 16 Ga
24	811050600	Washer Ext Tooth 3/8
25	873610600	Nut Fin Hex 3/8 - 24 UNF
26	532124952	Bushing
27	532139277	Stem Tank Fuel
28	532124703	Fuel Line
29	532132920	Spark Arrester Kit
32	817490508	Screw Thdrol 5/16 - 18 X 1/2
34	817720408	Screw Thd Cut 1.4 - 20 x 1/2
35	810040500	Washer Lock 5/16
36	874570512	Screw Hex 5/16 - 16 UNC X 3/4
37	532123487	Clamp Hose
38	811050600	Lockwasher Ext Tooth 3/8
39	817490624	Screw Thdrol 3/8 - 16 X 1 - 1/2 TT
40	817490652	Screw Thdrol 3/8 - 16 X 3 - 1/4
41	532126197	Washer 1-1/2 OD X 15/32 ID X .250
42	810040700	Washer Lock 7/16
43	871170768	Bolt Hex 7/16-20 X 4-1/4 Ga 5

**NOTE:** All component dimensions given in U.S. inches  
1 inch = 25.4 mm

# REPAIR PARTS

## 20 HP 50" TRACTOR -- MODEL NUMBER HN2050A

### SEAT ASSEMBLY



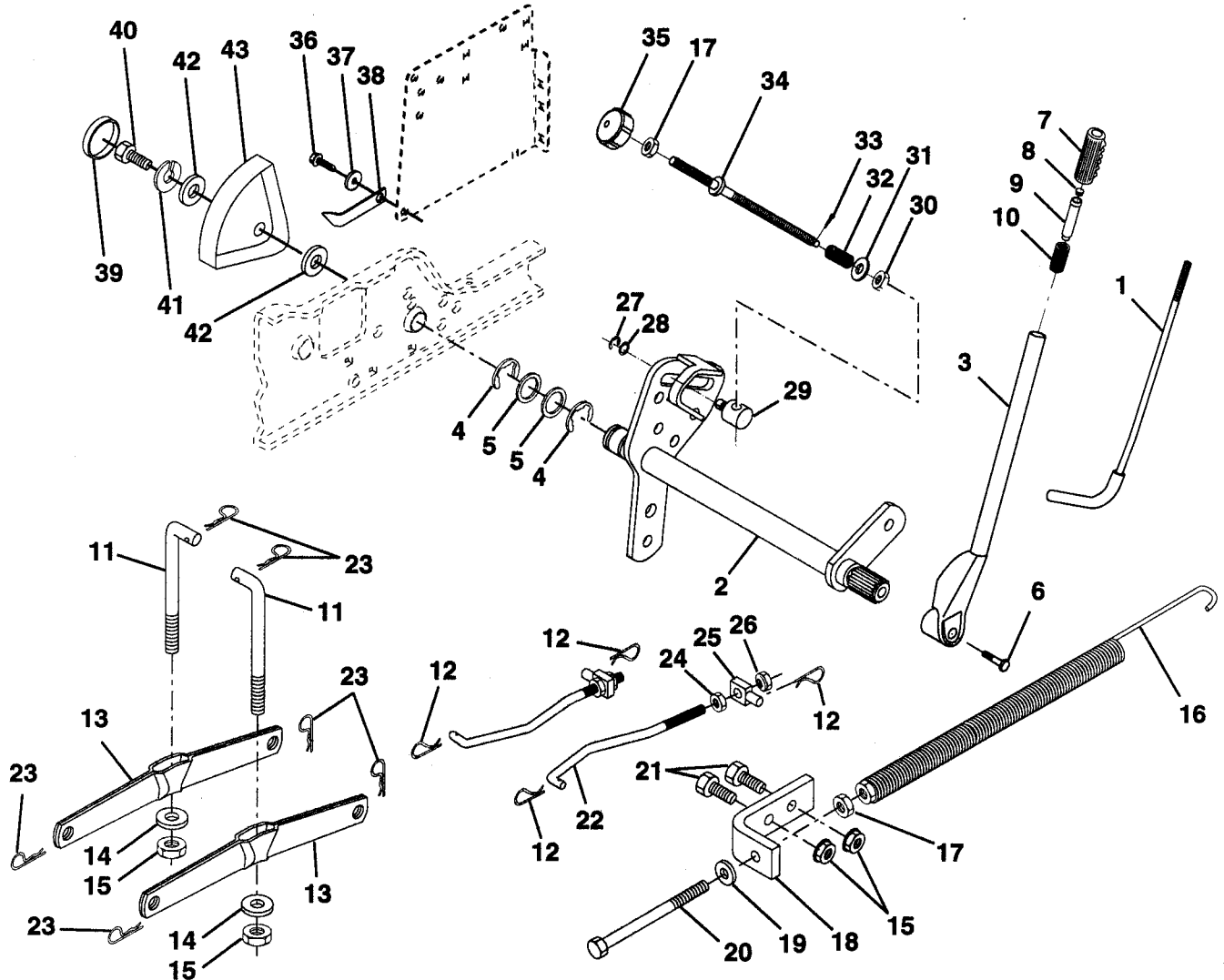
KEY NO.	PART NO.	DESCRIPTION	KEY NO.	PART NO.	DESCRIPTION
1	532141525	Seat	14	872050411	Bolt, Carriage 1/4-20 X 1-3/8
2	532140551	Bracket, Pivot Seat	15	532121249	Spacer, Split
3	532140675	Strap, Fender	16	532123740	Spring, Cprsn
4	532127018	Bolt, Shoulder 5/16-18 X .62	17	532123976	Nut, Lock 1/4 Lge Flg Gr. 5
5	532140407	Clip, Push In	18	819171912	Washer 17/32 X 1-3/16 X 12 Ga.
6	873800600	Loicknut 3/8-16 Unc	19	532120068	Knob, Seat 1/2-13 Unc
7	532124181	Spring, Seat Cprsn	20	532124238	Cap, Spring Seat
8	817490508	Screw, Thdrol 5/16-18 X 1/2	21	532139888	Bolt, Shoulder 5/16-18 Unc
9	819131614	Washer 13/32 X 1 X 14 Ga.	22	873680500	Nut, Crownlock 5/16-18 Unc
10	532140552	Pan, Seat			
12	532121246	Bracket, Mounting Switch			
13	532121248	Bushing, Snap			

**NOTE:** All component dimensions given in U.S. inches  
1 inch = 25.4 mm

# REPAIR PARTS

## 20 HP 50" TRACTOR -- MODEL NUMBER HN2050A

### LIFT ASSEMBLY



KEY NO.	PART NO.	DESCRIPTION
1	532121006	Rod Asm., Lever
2	532137295	Shaft Asm., Lift Vgt
3	532121002	Lever Asm., Lift Rh
4	812000022	E-Ring Truarc #5133-87
5	819292016	Washer 29/32 x 1-1/4 x 16 Ga.
6	874780624	Bolt, Fin Hex 3/8-16 x 1-1/2
7	532125631	Grip, Handle Fluted
8	532124526	Button, Plunger
9	532122364	Plunger, Lever Lift
10	532124874	Spring 2-1/8"
11	532142369	Link Lift
12	532124660	Retainer, Spring
13	532139867	Arm, Suspension Vgt
14	532140302	Bearing
15	873800600	Nut, Lock Hex W/Wsh 3/8-16 Unc
16	532124687	Spring Asm., Assist Lift
17	873350600	Nut, Hex Jam 3/8-16 Unc
18	532124671	Bracket, Spring Assist
19	819131316	Washer 13/32 x 13/16 x 16 Ga.
20	532005328	Bolt, Adjust Spring Assist
21	874760616	Bolt, Fin Hex 3/8-16 x 1
22	532127218	Link, Front
23	532124670	Retainer, Spring

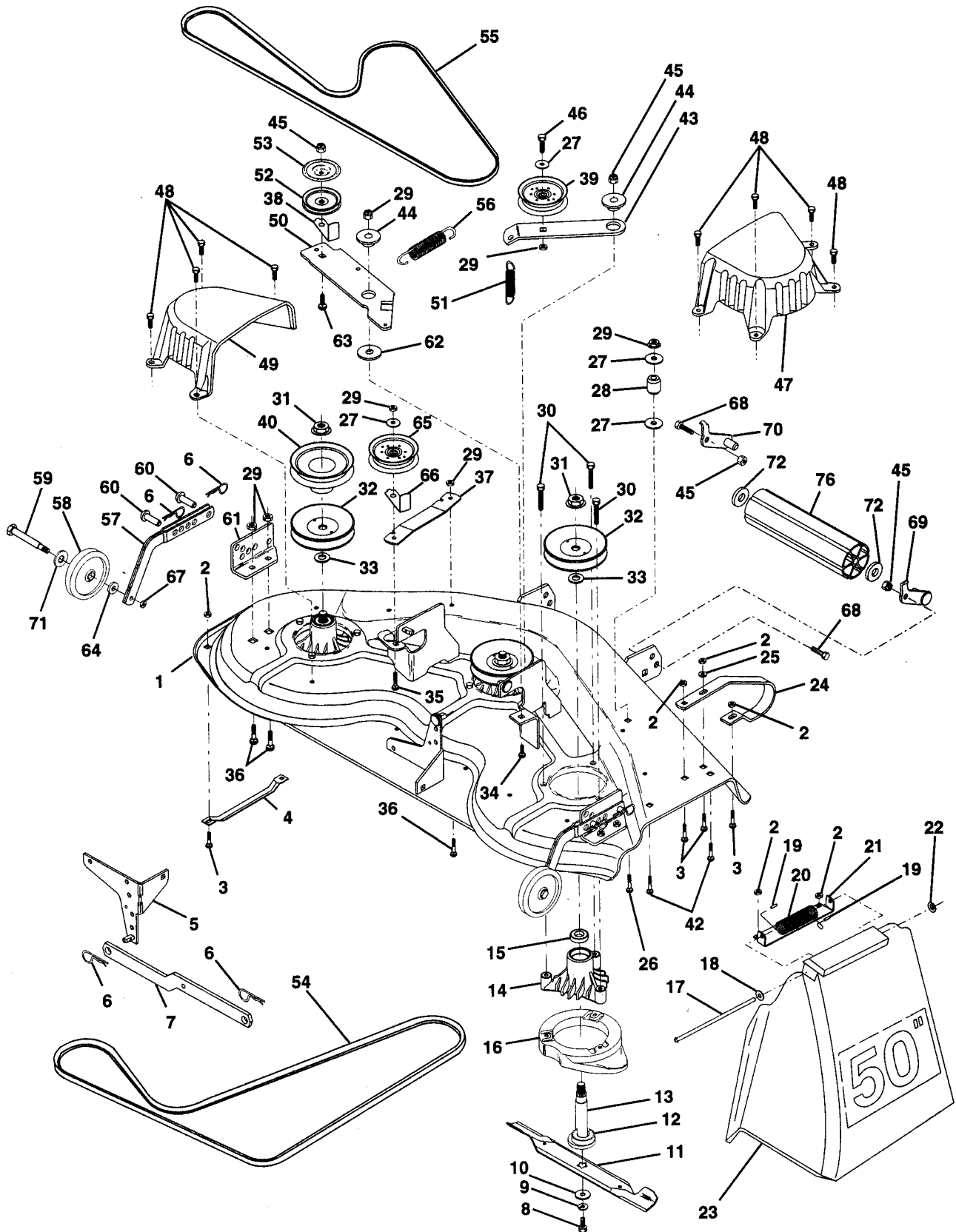
KEY NO.	PART NO.	DESCRIPTION
24	873350800	Nut, Jam Hex 1/2-13 Unc
25	532130171	Trunnion
26	873800800	Nut, Lock W/Wsh 1/2-13 Unc
27	812000037	Ring, Klip #T5304-37
28	819151216	Washer 15/32 x 3/4 x 16 Ga.
29	532110810	Trunnion, Dp Stop Dbl Thds Pit
30	532110807	Nut, Special
31	819131016	Washer 13/32 x 5/8 x 16 Ga.
32	532137150	Spring, Compression Inf Hgt
33	876020308	Pin, Cotter 3/32 x 1/2
34	532137167	Rod, Adj Lift
35	532138057	Knob, Inf 3/8-16 Unc
36	817490612	Screw, Thdrol 3/8-16 x 3/4
37	532120529	Washer, Nylon
38	532138346	Pointer, Pnt Height Indicator
39	532123935	Plug, Hole
40	874780516	Bolt, Fin Hex 5/16-18 x 1
41	810040500	Washer, Lock Hvy Hlcl Spr 5/16
42	819112410	Washer 11/32 x 1-1/2 x 10 Ga.
43	532123934	Scale, Indicator Height

**NOTE:** All component dimensions given in U.S. inches  
1 inch = 25.4 mm

# REPAIR PARTS

## 20 HP 50" TRACTOR - - MODEL NUMBER HN2050A

### MOWER DECK



# REPAIR PARTS

## 20 HP 50" TRACTOR - - MODEL NUMBER HN2050A

### MOWER DECK

KEY NO.	PART NO.	DESCRIPTION	KEY NO.	PART NO.	DESCRIPTION
1	532136457	Deck Asm., Mower 50" Vented	38	532137554	Keeper, Belt Idler
2	873800500	Locknut, Hex W/Ins 5/16-18 Unc	39	532131494	Pulley, Idler Flat
3	872110506	Bolt, Carriage 5/16-18 x 3/4	40	532136572	Pulley, Driven
4	532125074	Runner, Mower LH	42	872140506	Bolt, Carriage 5/16-18 Unc x 3/4
5	532138457	Bracket Asm., Sway Bar	43	532136460	Arm, Idler Secondary
6	532124670	Retainer, Spring	44	532122052	Spacer, Retainer
7	532130832	Arm Suspension, Rear	45	873680600	Nut, Crownlock 3/8-16 Unc
8	532850857	Bolt 3/8-24 x 1.25 Gr. 8 Patched	46	874760628	Bolt, Fin Hex 3/8-16 Unc x 1-3/4
9	810030600	Washer, Lock Hvy 3/8 Unplated	47	532137200	Cover, Mandrel RH
10	532140296	Washer, Hard Blade Mower Vented	48	532137729	Screw, Thd Roll 1/4-20 x 5/8
11	532137380	Blade (3 Required)	49	532136574	Cover, Mandrel LH
12	532129895	Bearing, Ball #6204 (Mandrel)	50	532137272	Arm, Idler Primary
13	532137553	Shaft Asm., W/Lower Brg (Includes Key No. 12)	51	532137273	Spring, Secondary
14	532137152	Housing, Mandrel 50" Vent	52	532139245	Pulley, Idler V Groove
15	532110485	Bearing, Ball Mandrel	53	532137789	Shield, Idler
16	532136929	Stripper, Mower Vented	54	532139573	V-Belt, Mower Primary
17	532106735	Rod, Hinge	55	532138255	V-Belt, Mower Secondary
18	819111016	Washer 11/32 x 5/8 x 16 Ga.	56	532138687	Spring, Primary
19	532105304	Cap, Sleeve	57	532136577	Bar Asm., Wheel Gauge
20	532123713	Spring, Torsion Deflector	58	532105455	Wheel, Gauge
21	532137607	Bracket, Deflector	59	532124842	Bolt, Shoulder
22	532110452	Nut, Push	60	532139031	Pin, Clevis
23	532110509	Shield, Deflector Mower	61	532136573	Bracket, Wheel Gauge
24	532136320	Runner, RH	62	532133943	Washer Hardened
25	819111216	Washer 11/32 x 3/4 x 16 Ga.	63	872110612	Bolt Carriage 3/8-16 x 1-1/2
26	872110614	Bolt, Carriage 3/8-16 x 1-3/4 Gr. 5	64	819121414	Washer 3/8 x 7/8 x 14 Ga.
27	819131316	Washer 13/32 x 13/16 x 16 Ga.	65	532102403	Pulley Idler Flat Mower
28	532132823	Spacer, Spring Stop Idler	66	532139622	Keeper, Belt Idler 50" Vent
29	873800600	Nut, Lock Hex W/Wsh 3/8-16 Unc	67	873930600	Nut, Center Lock 3/8-16
30	532138776	Screw Thdrol Hex Head	68	874760616	Bolt, Fin Hex 3/8-16 x 1
31	532137266	Nut, Flg Top Lock Cntr 9/16	69	532132273	Bracket, Asm. Noseroller RH
32	532129861	Pulley, Mandrel	70	532132274	Bracket, Asm. Noseroller LH
33	532129963	Washer, Spacer Mower Vented	71	819171512	Washer 17/32 x 15/16 x 12 Ga.
34	872140610	Bolt, Carriage 3/8-16 x 1-1/4	72	819171416	Washer 17/32 x 7/8 x 16 Ga.
35	872110616	Bolt, Carriage 3/8-16 x 2	76	532132264	Roller, Nose
36	872110608	Bolt, Carriage 3/8-16 x 1 Gr. 5			
37	532137166	Stiffener, Arm Idler			

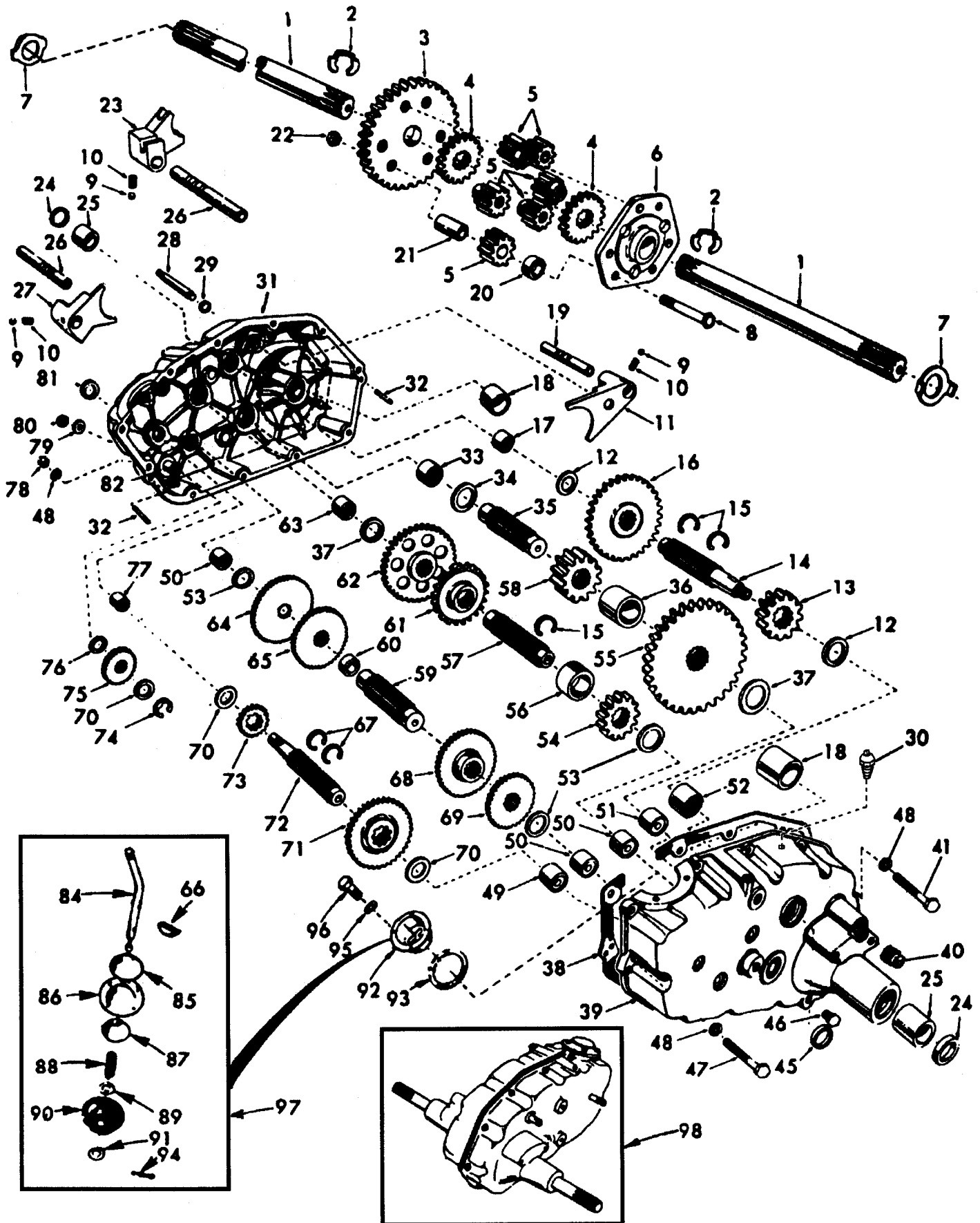
**NOTE:** All component dimensions given in U.S. inches  
1 inch = 25.4 mm



# REPAIR PARTS

20 HP 50" TRACTOR -- MODEL NUMBER HN2050A

## TRANSAXLE



# REPAIR PARTS

## 20 HP 50" TRACTOR - - MODEL NUMBER HN2050A

### TRANSAXLE

KEY PART NO. NO.	DESCRIPTION	KEY PART NO. NO.	DESCRIPTION		
1	532124662	Axle Shaft	51	532001529	Needle Bearing
2	812000034	Retaining Ring	52	532008119	Needle Bearing
3	532004199	Final Drive Gear	53	532004220	Thrust Bearing Race
4	532004216	Differential Gear	54	532004209	3rd Reduction Pinion, Low
5	532004215	Differential Pinion	55	532124668	4th Reduction Gear
6	532004217	Differential Carrier	56	532004442	3rd Reduction Pinion Spacer
7	532124674	Axle Thrust Washer	57	532004195	2nd Reduction Gear Shaft
8	874020652	Bolt, Hex Head 3/8-24 x 3-1/4 (1" Thread Length)	58	532004214	Final Drive Pinion
9	532124697	Steel Ball	59	532004194	1st Reduction Gear Shaft
10	532137261	Spring Shift Fork Detent	60	532007528	1st Reduction Shaft Spacer
11	532004985	Shift Fork, High-Low Range	61	532124666	3rd Reduction Pinion High
12	532124931	Thrust Bearing Race	62	532124665	2nd Reduction Gear
13	532124667	4th Reduction Pinion	63	532007398	Needle Bearing
14	532124661	3rd Reduction Gear Shaft	64	532124664	Low Speed Gear and 2nd Reduction Pinion Cluster
15	532124677	Snap Ring, Crescent Type	65	532004204	Reverse Gear
16	532124679	High-Low Range Gears	66	532002898	Key, Hi-Pro 1/8 x 17/32
17	532008118	Needle Bearing	67	532004926	Snap Ring, Crescent Type
18	532124705	Sintered Iron Bearing	68	532004205	Intermediate Speed Gear
19	532122238	Shift Fork Shaft, High-Low Range	69	532125099	High Speed Gear
20	532004218	Differential Pinion Spacer	70	532001370	Thrust Bearing Race
21	532124673	Differential Pinion Bushing	71	532124681	Intermediate and High Speed Cluster Pinions
22	532124701	Gripco Centerlock Nut 3/8-24	72	532000208	Input Shaft
23	532006262	Shift Fork, R.H.	73	532004201	Low Speed Pinion
24	532124698	Oil Seal	74	812000002	E-Ring
25	532124709	Sintered Iron Bearing	75	532001153	Reverse Idler Gear
26	532124672	Shift Fork Shaft	76	532124862	Reverse Idler Thrust Washer
27	532004986	Shift Fork, L.H.	77	532006803	Needle Bearing
28	532122254	Shift Shaft, High-Low Range	78	873220500	Nut, Hex 5/16-18
29	532006269	Oil Seal	79	532001167	Sealing Washer
30	532005855	Pressure Relief Valve	80	873360700	Nut, Hex, Jam 7/16-20
31	532137976	Gearcase, Reverse Idler Shaft and Bearings, R.H. (Includes Key No.'s 17,18, 25, 33, 50, 63, 76, 77 & 82)	81	532124675	Oil Seal
32	532006277	Dowel Pin	82	532124696	Reverse Idler Shaft
33	532004225	Needle Bearing	84	532005384	Gearshift Lever, Bent
34	532007396	Thrust Bearing Race	85	532002978	Gearshift Cap
35	532004198	4th Reduction Gear Shaft	86	532124682	Gearshift Ball Cover and Pin
36	532124663	4th Reduction Gear Spacer	87	532124704	Shift Lever Guide Ball, Keyed
37	532007395	Thrust Bearing Race	88	532004924	Spring
38	532121878	Gearcase Gasket	89	819151516	Washer 15/32 x 15/16 x 16 Gauge
39	532137974	Gearcase and Bearings, L.H. (Includes Key Numbers 18, 25, 49, 50 (2), 51 and 52)	90	532110542	Shift Mechanism Seal
40	813320400	Pipe Plug 1/2-14 N.P.T.	91	819181511	Washer 9/16 x 15/16 x 12 Gauge
41	874780526	Bolt, Hex 5/16-18 UNC x 1-5/8	92	532000075	Gearshift Gate and Reinforcement
45	532006271	Oil Seal	93	532006274	Shift Ball Cover Gasket
46	813060200	Pipe Plug 1/4-18 N.P.T.	94	876020412	Cotter Pin 1/8 x 3/4
47	874780524	Bolt, Hex 5/16-18 x 1-1/2 Grade 5	95	810040500	Washer, Lock 5/16
48	810040500	Washer, Lock, Extra Heavy 5/16	96	874760514	Bolt, Hex Head 5/16-18 UNC x 7/8
49	532124792	Needle Bearing	97	532124863	Gear Shift Lever Assembly
50	532004222	Needle Bearing	98	532137982	Transaxle Assembly (Less Brake Drum and Shift Lever)

**NOTE:** All component dimensions given in U.S. inches  
1 inch = 25.4 mm